

INSTALLATION GUIDE

JOB NAME: _____
LOCATION: _____
QUOTE/REF#: _____

! WARNING & IMPORTANT

- This luminaire must be installed in accordance with National Electrical Code and local electrical and construction regulations. To assure full compliance with local codes and regulations, check with your local electrical inspector before installation.
- To prevent electrical shock, turn off electricity at fuse box before installation.
- Product is not rated for insulation contact. Do not install insulation within 3 inches of fixtures sides or drivers sides.
- Do not exceed product specified luminaire voltage. Any other source will void warranty.
- Do not install if luminaire, parts or connectors are damaged.

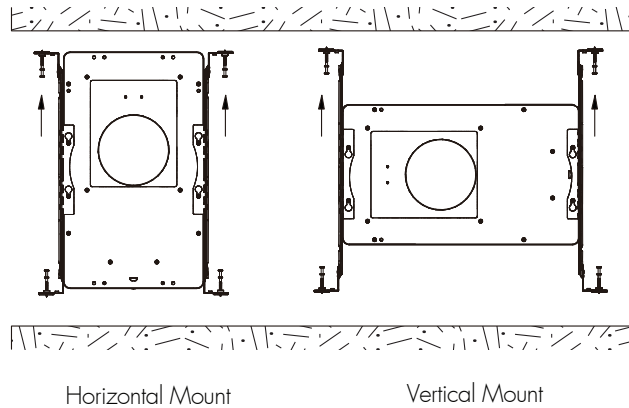
STEP 1

Prepare frame kit for ceiling installation

Make sure end tab on hanger bars is facing outward.

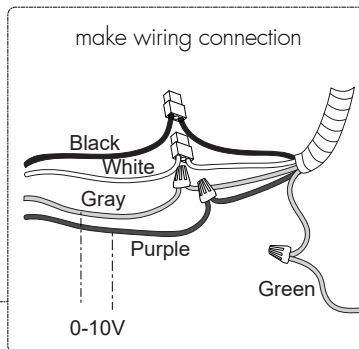
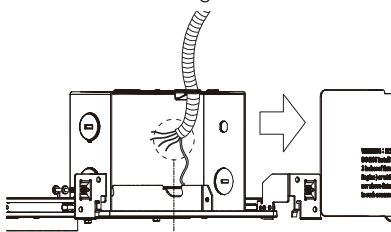
Extend bar hangers to fit between joists and position fixture by hammering nail on bars into the joists.

Use T-Bar slot in the bottom of the hanger bars for suspended ceilings, bending the tabs to hold T-Bar tightly.



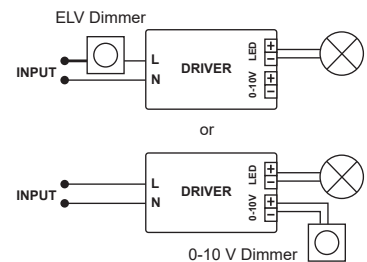
STEP 2

Run wires to housing kit

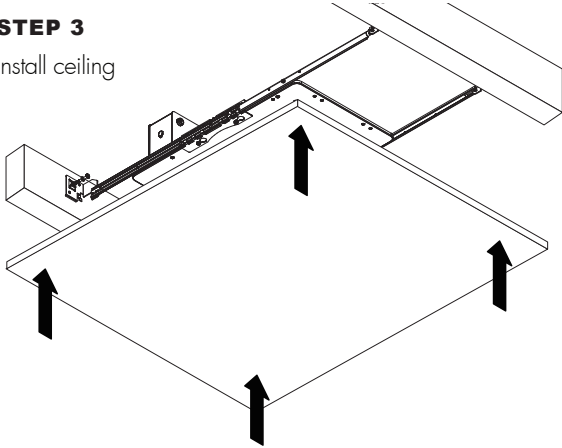


Wiring scheme

TRIAC / ELV / 0-10V

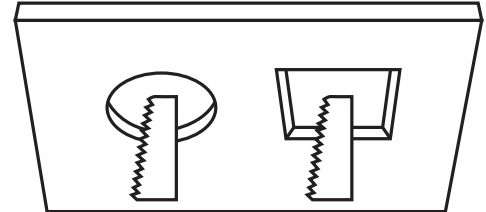


STEP 3
Install ceiling



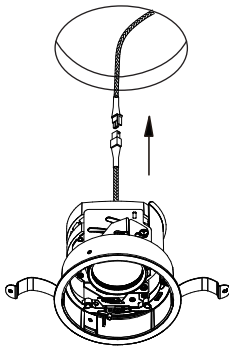
STEP 4
Make ceiling cutout

Round: Ø 105mm Square: 105x105mm

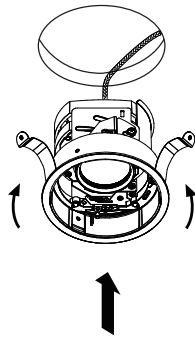


Light Engine & Trim Installation

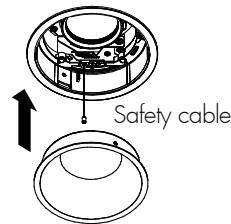
STEP 1
Connector power supply module to light engine



STEP 2
Bend clips and mount light engine onto the ceiling

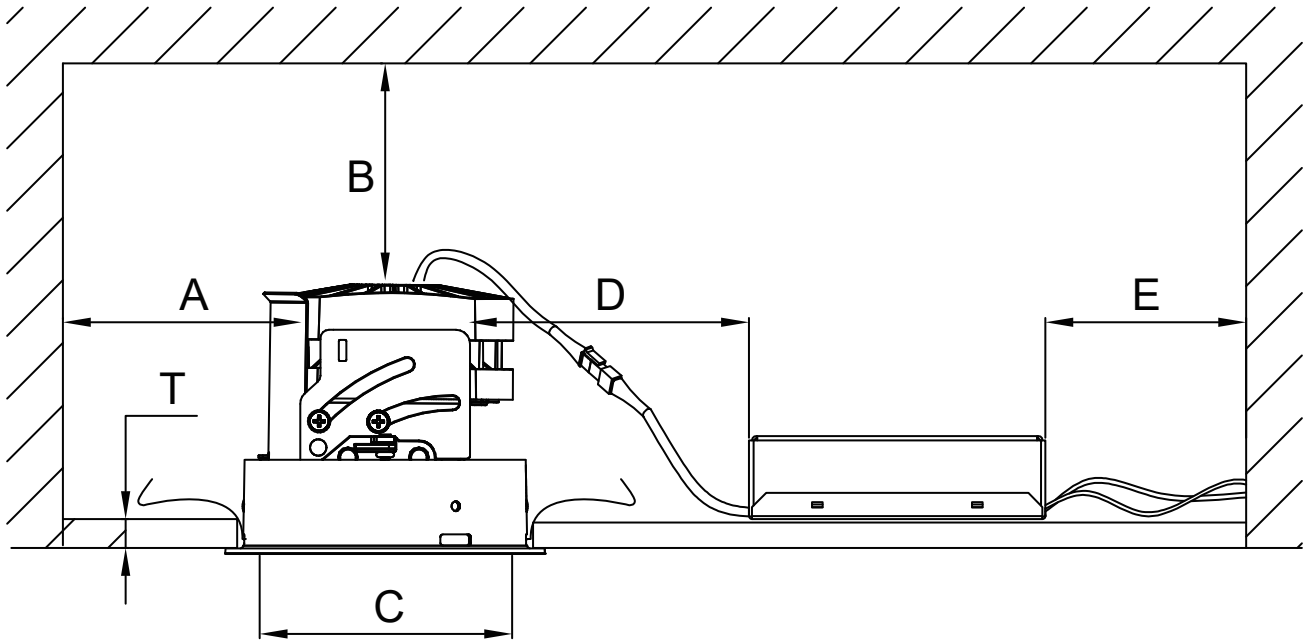


STEP 3
Install the trim with safety cable.



Safety cable installation

1. Insert lock.
2. Rotate to lock.
3. Put the tab on.



A	$\geq 75\text{mm}$	D	$\geq 75\text{mm}$
B	$\geq 75\text{mm}$	E	$\geq 75\text{mm}$
C	$\geq 105\text{mm}$	T	5-32mm

DIMMING

The luminaire is compatible with leading & trailing edge phase cut dimmers (TRIAC/ELV) and 0~10V dimmers. Please consult Factory for compatibility.