

RLD-1

BEVELED RECESSED ROUND LED DOWNLIGHT

Project _____
Location _____
Quote/ Ref # _____

RLD-1 is a fixed LED downlight that features a wide range of functionality, trim colors, beam angles and accessories to meet any lighting requirements. Engineered to deliver 500 LM from a 1" aperture, its recessed feature allows it to seamlessly integrate into the surrounding space and installation area.



SPECIFICATIONS

APERTURE	Ø1.25 In.
INPUT VOLTAGE	120V/ 277V
LED	Lumileds
POWER CONSUMPTION	9W
LUMEN OUTPUT	500 Lumens
BEAM ANGLE	14°/ 24°/ 39°
CRI	90+
COLOR TEMPERATURE	27K/ 30K/ 35K/ 40K
DIMMING	TRIAC or 0-10
IP RATING	Indoor
CERTIFICATIONS	ETL Listed
LUMEN MAINTENANCE	50,000 Hrs.
WARRANTY	5-Year Limited

FEATURES

- 9W
- Recessed downlight
- Small Ø1.25" aperture
- Interchangeable TIR optics
- 30° glare control cutoff
- Diffused lens
- Easy trim installation and service
- Powder coat finish

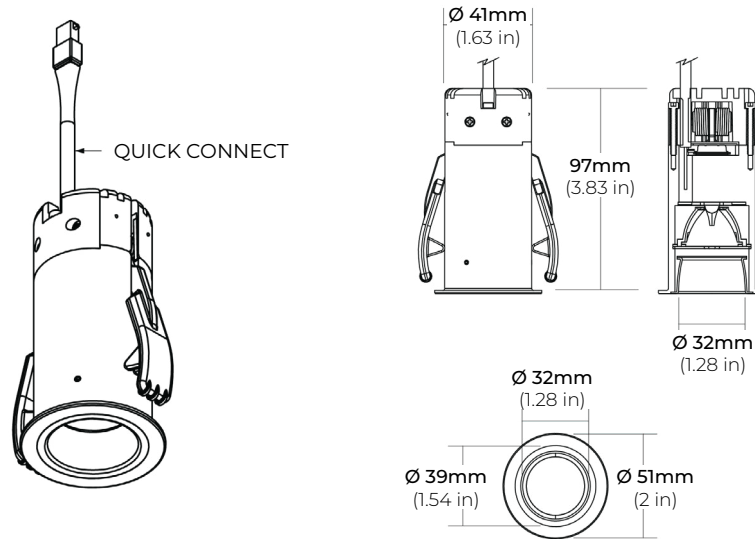


MODEL	WATTS	COLOR TEMP	BEAM ANGLE	TRIM	LENS	DRIVER
RLD1	9W 500 Lumens	27K 2700K	SP Spot 14°	WH-WH All White	DF Diffusion Softening Lens	O10 0-10 (120V~277V)
		30K 3000K	FL Flood 24°	BK-WH Black/ White Trim		
		35K 3500K	WF Wide 39°	HZ-WH Haze/ White Trim		
		40K 4000K				
				* Custom color finishes require powder coating. Allow 7 days leads time.		* Dimming on 120V only

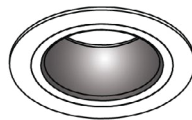
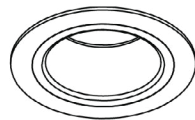
RLD-1

BEVELED RECESSED ROUND LED DOWNLIGHT

DIMENSIONS

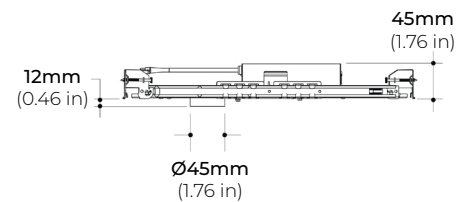
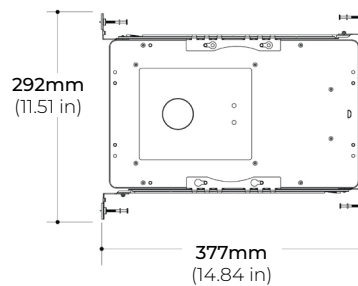
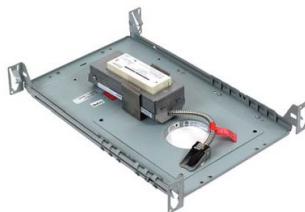


TRIM FINISHES



HOUSING

RLD1-HS-N
1" NON-IC HOUSING
**Optional*



DRIVER

RLD1-DRV-010-UNV
0-10 DIMMING DRIVER

RLD1-DRV-TR-UNV*
TRIAC
**Dimming on 120V ONLY*

