

ARS3-1300SQ

3.5" ADJUSTABLE DOWNLIGHT

Project _____
Location _____
Quote/ Ref # _____

ARS3-1300SQ is a 3.5-inch gear-driven adjustable downlight that features a wide range of functionality, trim styles, trim colors, beam angles and accessories to meet any lighting requirements. Center-beam adjustable design optimizes light output up to 40° tilt with full 360° rotation. Gear-driven mechanism enables hot-aiming capability. Installation is hassle-free and all adjustments including changing trims, optics, and accessories can be done below ceiling after installation. Light engine is removable from flange and flangeless modules after installation to enable field serviceability.



SPECIFICATIONS

INPUT VOLTAGE	120-277V AC
POWER CONSUMPTION	17W
LUMEN OUTPUT	1200 Lumens
CRI	90 CRI
BEAM ANGLE	Spot 17° Medium 24° Wide 39°
CONTROL	TRIAC ELV / 0-10V / DALI
COLOR TEMPERATURE	27K / 30K / 35K / 40K / 18-30K
TRIM SHAPE	Square
TRIM FINISHES	Black / White
TRIM STYLE	Bevel / Pinhole / Wall Wash
CERTIFICATION	UL Listed
LUMEN MAINTENANCE	50,000 Hrs

FEATURES

- 17W
- 3 SDCM Color Consistency
- Overload and Short Circuit Protection
- Ø105mm (4.13") cutout
- Interchangeable Optics
- Machine Grade Aluminum
- Dry, damp & wet location
- IC and Non-IC Rated Housing options
- UL Listed (US and Canada)



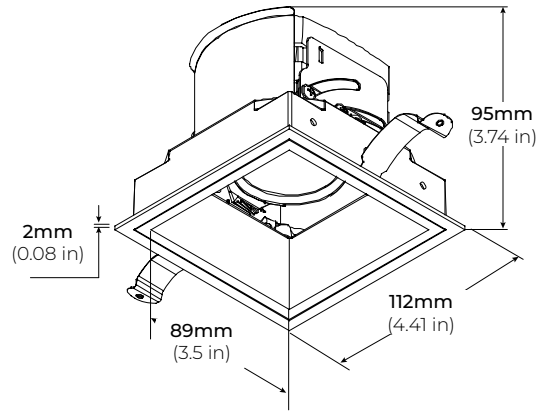
MODEL	CEILING	OUTPUT	COLOR TEMP	BEAM ANGLE	TYPE	DRIVER	VOLT	
ARS3-1300SQ	LF Flangless	L2 Low Output (17W)	27K 2700K	17 Spot 17°	ADJ Adjustable	STD Standard Phase 1% 0-10 Dimming	UNV/010 120V-277V	
	FF Flanged		30K 3000K	24 Medium 24°				FXD Fixed
			35K 3500K	39 Wide 39°				
			40K 4000K					
			18-30K 1800K-3000K (Warm-Dim)					
				HLECO Lutron Hi-Lume 0.1% Ecosystem				

*277V Dimming on 0-10 only

ARS3-1300SQ

3.5" ADJUSTABLE DOWNLIGHT

DIMENSIONS

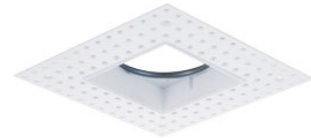


COLLAR

FF
FLANGED COLLAR



LF
FLANGELESS COLLAR



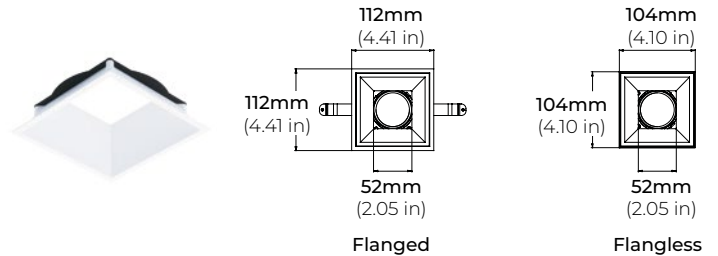
TRIMS

BEVELED DEEP

ARS3-1301-BD-SQ-WH
WHITE SQUARE BEVELED DEEP TRIM

ARS3-1301-BD-SQ-BK
BLACK SQUARE BEVELED DEEP TRIM

* Not compatible with Flangeless Collar (LF)
* Not compatible with Adjustable Type (ADJ)



ARS3-1300SQ

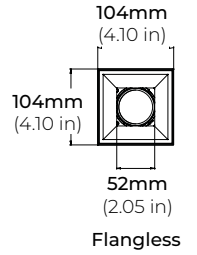
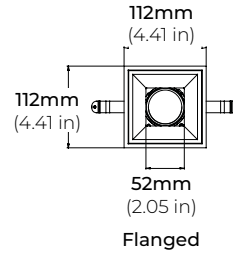
3.5" ADJUSTABLE DOWNLIGHT

TRIMS

BEVELED DEEP (WET LOCATION)

ARS3-1302-BV-SQ-WH
WHITE SQUARE BEVELED WET LOCATION TRIM

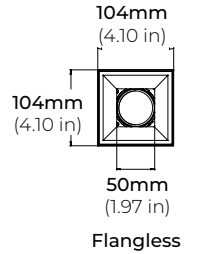
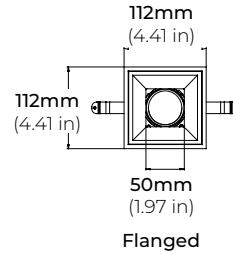
ARS3-1302-BV-SQ-BK
BLACK SQUARE BEVELED WET LOCATION TRIM



PINHOLE (WET LOCATION)

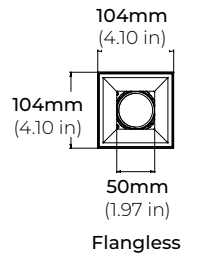
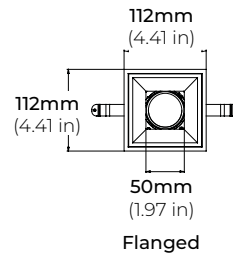
ARS3-1303-PH-SQ-WH
WHITE SQUARE WET LOCATION PINHOLE TRIM

ARS3-1303-PH-SQ-BK
BLACK SQUARE WET LOCATION PINHOLE TRIM



WALL WASH

ARS3-1305-WW-SQ-WH
WHITE SQUARE WALL WASH TRIM

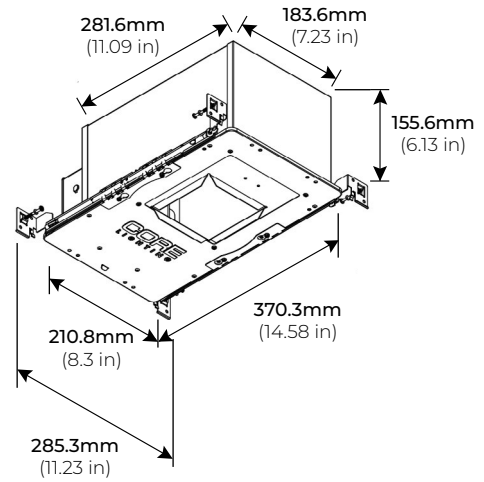


ARS3-1300SQ

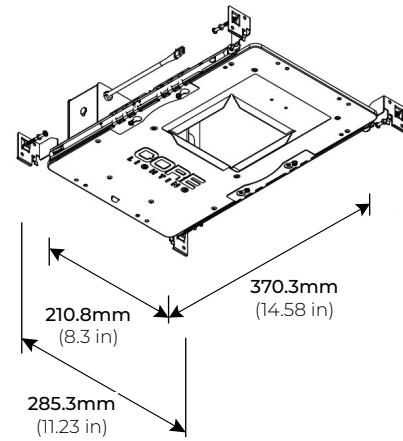
3.5" ADJUSTABLE DOWNLIGHT

HOUSING

ARS3-1300SQ-HS-IC
IC RATED



ARS3-1300SQ-HS-N
NON-IC RATED



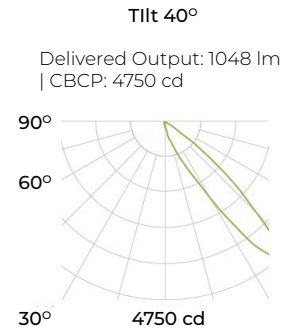
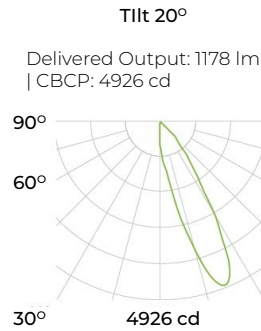
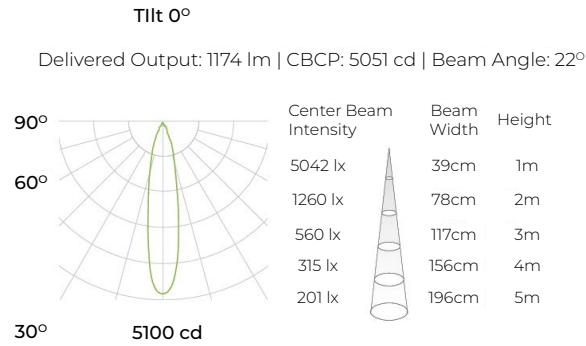
ARS3-1300SQ

3.5" ADJUSTABLE DOWNLIGHT

PHOTOMETRICS

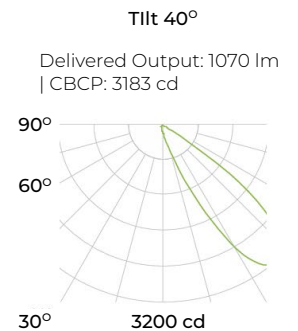
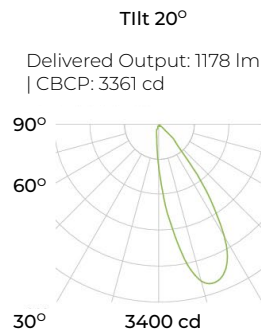
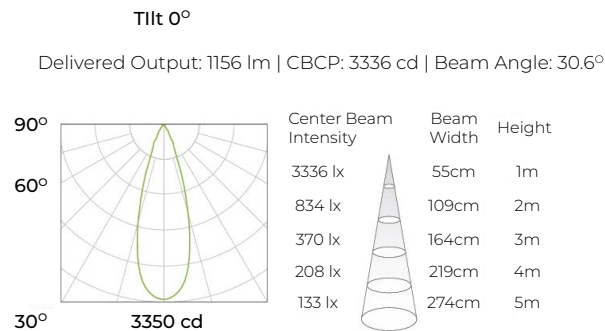
SPOT 17°

ROUND | 17W | 90CRI | 3000K | ANGLE CUT TRIM



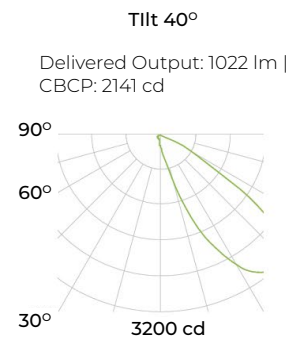
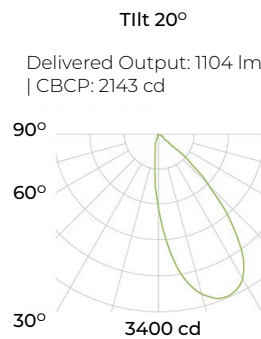
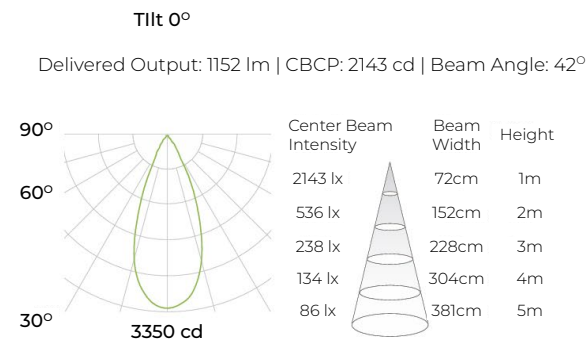
MEDIUM 24°

ROUND | 17W | 90CRI | 3000K | ANGLE CUT TRIM



WIDE 39°

ROUND | 17W | 90CRI | 3000K | ANGLE CUT TRIM



ARS3-1300SQ

3.5" ADJUSTABLE DOWNLIGHT

ASSEMBLY

